

Specification sheet LX 665

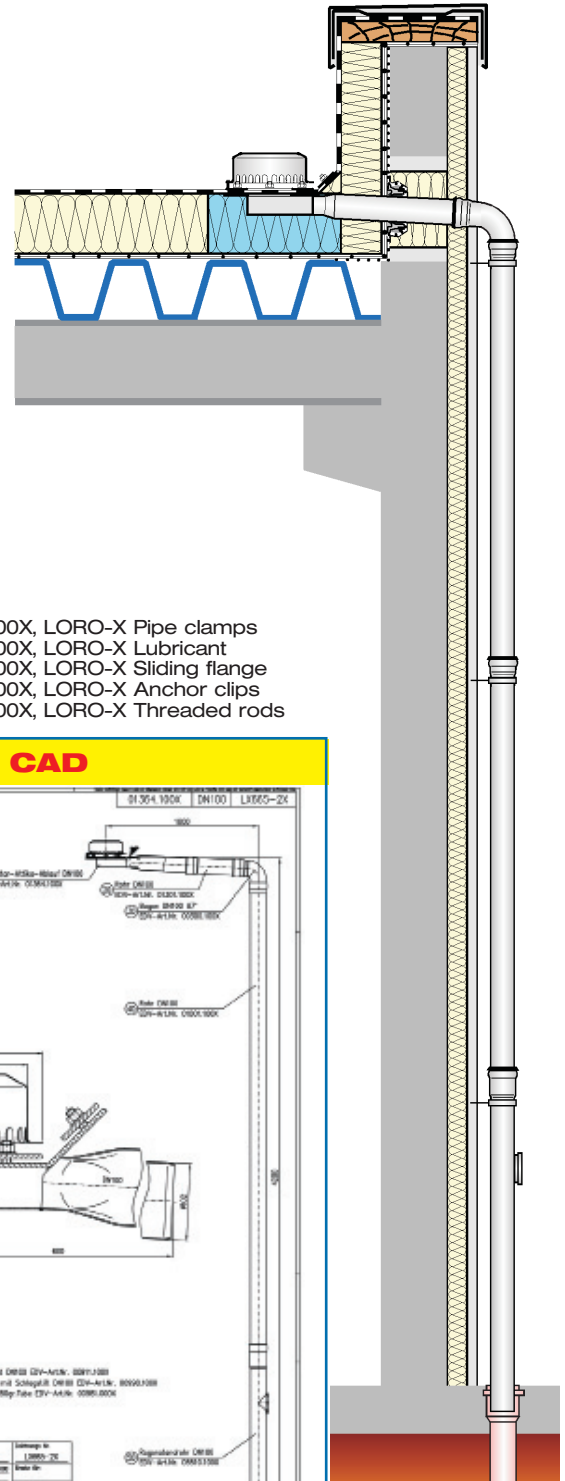
**Parapet roof drainage systems
Series 89 RAINSTAR®
with roof penetration of 55 mm**

Main drainage

Siphonic flow

Silent Power

Discharge rate:	14,0 l/sec
Water height:	55 mm
Roof penetration:	55 mm
Diameter:	DN 100
LX-Number:	LX 665
Weir height:	0 mm
Drain:	not ventilated
Downpipe:	not ventilated
Downpipes height:	min 4,2 m
Drainage:	in sewer
Flange form:	Clamping flange

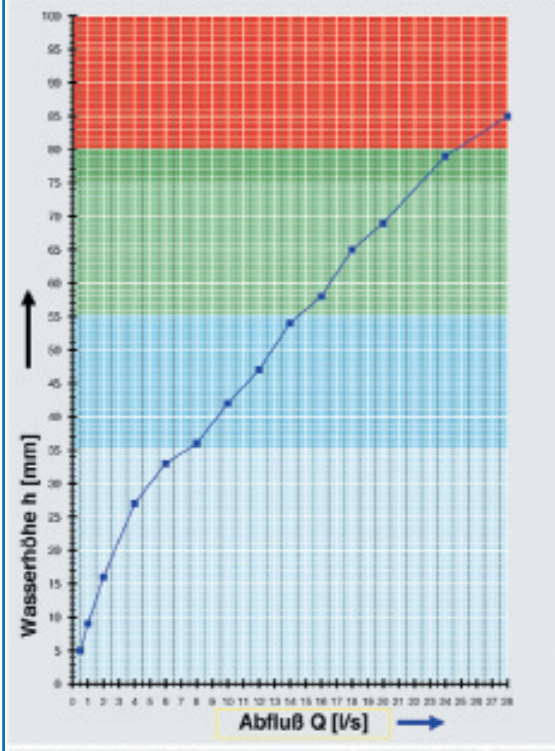


LX 665 Piece list

- 1 x Art.-No. choose drain on page two!**
 1 x Art.-No. 01301.100X, LORO-X Pipe with one socket
 1 x Art.-No. 00300.100X, LORO-X Bend
 1 x Art.-No. 01001.100X, LORO-X Pipe with one socket
 1 x Art.-No. 05510.100X, LORO-X Stand pipe
 4 x Art.-No. 00911.100X, LORO-X Sealing elements

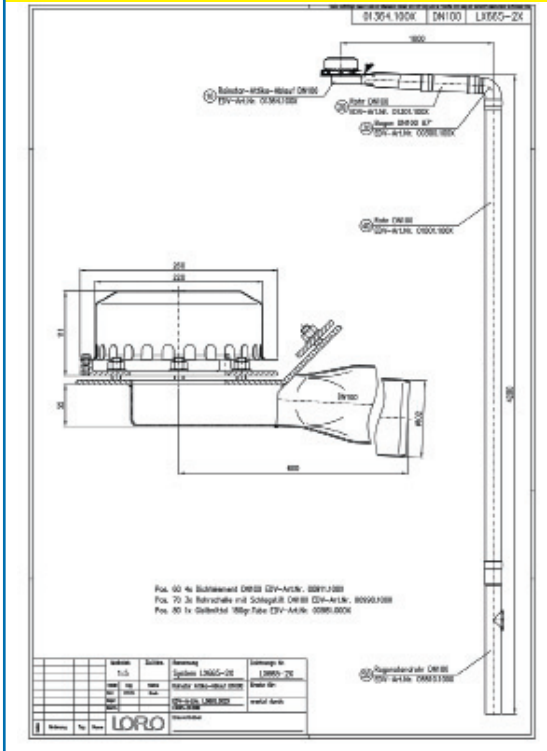
- 3 x Art.-No. 00975.100X, LORO-X Pipe clamps
 1 x Art.-No. 00986.000X, LORO-X Lubricant
 1 x Art.-No. 13235.100X, LORO-X Sliding flange
 3 x Art.-No. 00806.100X, LORO-X Anchor clips
 3 x Art.-No. 09604.200X, LORO-X Threaded rods

hQ - Head-Discharge curve



Systempower

CAD



Systemshape


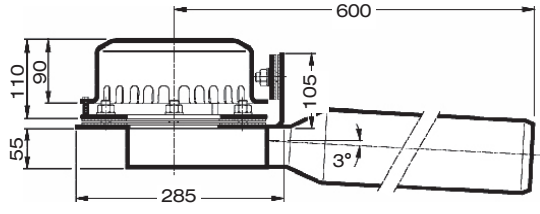
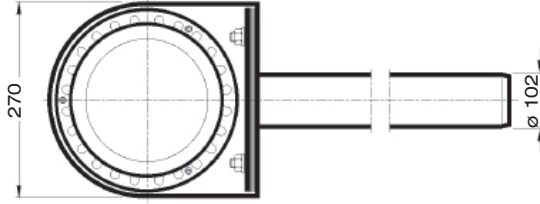
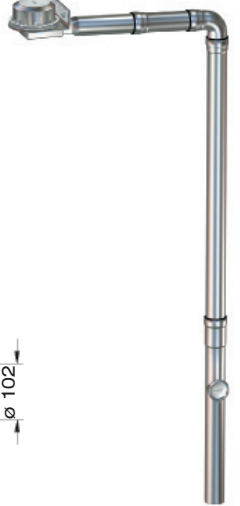
Water height	mm	5	10	15	20	25	30	35	40	45	50	55	60	65	70	75	
Discharge	l/sec	0,5	1,1	1,9	2,7	3,6	5,0	7,5	9,2	11,0	12,9	14,0	16,5	18,0	20,4	22,5	
		Silent					Silent Power										

Choose drain for piece list on page one!

DN 100


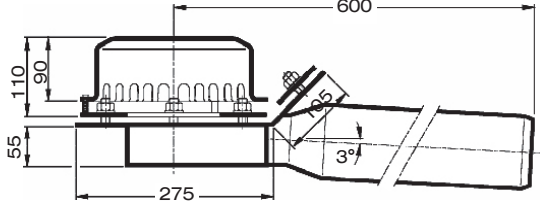
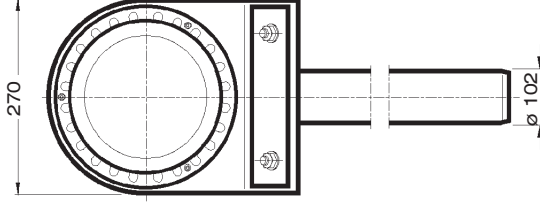
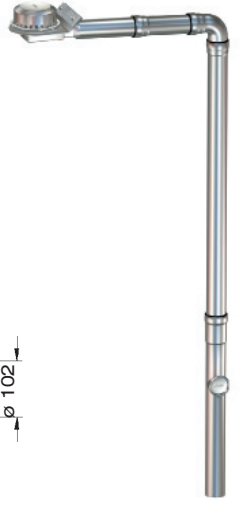
LX665-1X
 Drain Art.-No. 01366.100X
 Weight: 9,5 kg

Series 89
with roof penetration of 55 mm
 clamping flange 90°
 for plastic roofing sheets

LX665-2X
 Drain Art.-No. 01364.100X
 Weight: 9,3 kg

Series 89
with roof penetration of 55 mm
 clamping flange 45°
 for bituminous roofing sheets

Please note:

For drainage systems with siphonic flow it is vital that only LORO-X pipes and fittings in the combination as indicated are used. Mixture or exchange of system parts may result in lower discharge capacities! The height of the downpipe must be a min. 4.2m for the indicated capacity to be obtained. If roof drain and downpipe are fitted by different crews, then do follow the system setup acc. to the LX-data sheet at www.loro-x.com

Heat tracing: Lorowerk recommends to check all drains and pipes with regard to their frost-sensibility. Where necessary, these parts should be upgraded with heat tracing.